

A.S.P. Electro-Technology Ltd

Tel: +44 (0) 1455 635796
Fax: +44 (0) 1455 610851

sales@asp-electro-tech.com
www.asp-electro-tech.com

STExCP8-PT/M Tool Reset/Momentary Call Point

The STExCP8-PT latching push button with tool reset and STExCP8-PM momentary push button manual call points, featuring 316L stainless steel enclosures, are designed for the harshest of environments.

Approved for Zone 1 and 2 hazardous areas for fire and gas alarm systems, ESD and process control. Available with standard DIN rail terminals or the innovative E2S termination board providing dedicated connections for field installed EOL and/or series devices. SIL 2 compliant to IEC 61508 (2010). DNV type approved for exposed locations.

Features

- Robust corrosion proof 316L stainless steel enclosure
- Epoxy powder coat paint finish
- Alternative housing colours are available to meet specific requirements
- Ingress protection IP66
- Single or double switch
- Optional equipment tags and duty labels
- Lift flap
- 2 x 316 Stainless steel stopping plugs included
- 3 x M20 cable entries
- Stainless steel fasteners
- DNV type approved IEC 60945 & DNVGL-CG-0339

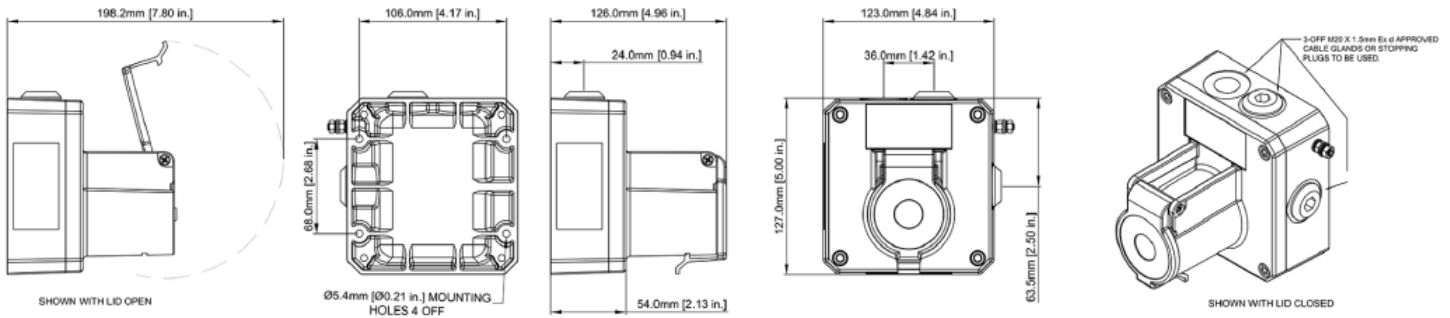
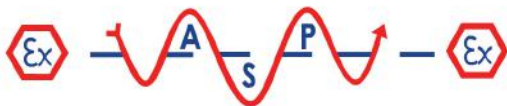
Approvals

- IECEx certificate: IECEx ULD 15.0018X,
IEC 60079-0:2011 Edition: 6.0,
IEC 60079-1:2014-06 Edition: 7.0
- ATEX certificate: DEMKO 15 ATEX 1589X,
EN 60079-0:2012+A11:2013
EN 60079-1:2014
- TR-CU Ex EAC certificate: RU C-GB.AA71.B.00109
- SIL 2 compliant to IEC 61508 (2010)

Coding

- Ex db IIC T6 Gb Ta. -55°C to +70°C (Single switch)
- Ex db IIC T5 Gb Ta. -55°C to +70°C (Dual switch)
- Ex db IIC T6 Gb Ta. -55°C to +60°C (Dual switch)





Specification

Version: STExCP8-PT, STExCP8-PM

Coding: Ex db IIC T6 Gb Ta. -55°C to +70°C (Single switch)
Ex db IIC T5 Gb Ta. -55°C to +70°C (Dual switch)
Ex db IIC T6 Gb Ta. -55°C to +60°C (Dual switch)

Ingress protection: EN/IEC 60529 – IP66

Enclosure matl: 316L Stainless Steel

Colour: RAL3000 Red (others available on request)

Cable entries: 2 x M20x1.5 top and
1 x M20x1.5 side.
Back box can be rotated to give
2 x bottom and 1 x side entries

Stopping plugs: 2 x 316 Stainless Steel plugs as standard
Brass and Nickel plated plugs optional

Terminals: DIN rail 8 x 2.5mm² SAK2.5 or
Termination board featuring 6 x 2.5mm² terminals
plus 4 x dedicated EOL & Series terminals

Earth: External M5 earth connection

Weight: 4.6Kg/10.14lbs

Voltage Range: Max input Current: Limitations for EOL / Series Resistors:

250Vac Max 5.0A max not permitted

48Vdc Max 1.0A max min. 2.2kOhm

24Vdc Max 3.0A max min. 470 Ohm

EOL and Series Diode Values:

| xxx: | Zener Value | Max. current supply permitted |
|------|-------------|-------------------------------|
| 3V3 | 3.3V Diode | 230mA |
| 4V7 | 4.7V Diode | 162mA |
| 5V1 | 5.1V Diode | 149mA |
| 5V6 | 5.6V Diode | 136mA |
| 6V2 | 6.2V Diode | 122mA |
| 6V8 | 6.8V Diode | 112mA |
| 10V | 10V Diode | 76mA |
| 12V | 12V Diode | 63mA |

Part Codes

| Version: | Part code: | Description: |
|--------------------------------|---------------------|---|
| Product type: | STExCP8PT | Latching push button with tool reset |
| | STExCP8PM | Momentary push button |
| Switch Type: [s] | S | SPCO/SPDT |
| | D | DPCO/DPDT |
| Cable Entry Type: [e] | A | 3 x M20x1.5mm |
| | B | 2 x 1/2" NPT - adaptors |
| | C | 2 x 3/4" NPT - adaptors |
| | D | 2 x M25x1.5mm - adaptors |
| | E | 1 x 1/2" NPT - adaptor |
| | F | 1 x 3/4" NPT - adaptor |
| | G | 1 x M25x1.5mm - adaptor |
| | H | 3 x 1/2" NPT - adaptors |
| | I | 3 x 3/4" NPT - adaptors |
| | J | 3 x M25x1.5mm - adaptors |
| Stopping plug material: [m] | S | Stainless Steel [Default] |
| Terminals: [t] | D | DIN Rail 8 x SAK2.5 |
| | P | Termination board: 6 x 2.5mm ² terminals plus 4 x EOL & Series terminals |
| Lift flap: [l] | L | Lift flap supplied as standard |
| Duty label [d]: | 1 | No Duty label, no Equip. tag |
| | 2 | Duty label St/St |
| | 3 | Duty label St/St + Equip. tag |
| | 4 | Duty label Metalised Polyester |
| | 5 | Duty label M. Poly. + Equip. tag |
| | 6 | Equip. tag only |
| Product version: [v]A1 | | IECEX & ATEX & CUTR Ex EAC & DNV Type Approved |
| Enclosure colour: [x] | R, B, N, Y, V, S, K | Red, Blue, Green, Yellow Red/White, Yellow/Black, Black |
| E.O.L. Module: [Exxx] optional | ExxxR | Resistor value in Ohms e.g. E470R = 470 Ohm |
| | ED1 | Diode IN4007 = ED1 |
| | ExxxZ | Zener diode e.g. E5V1Z = 5.1V |
| Series Module: [Sxxx] optional | SxxxR | Resistor value in Ohms e.g. S1K5R = 1.5K Ohm |
| | SD1 | Diode IN4007 = SD1 |
| | SxxxZ | Zener diode e.g. S5V1Z = 5.1V |
| Accessories: | | |
| | SP65-0001-A2 | Pole Mount Bracket Kit 2" St/St A2 (304) |
| | SP65-0001-A4 | Pole Mount Bracket Kit 2" St/St A4 (316) |
| | SP65-0002-A2 | Sunshade - St/St A2 (304) |
| | SP65-0002-A4 | Sunshade - St/St A4 (316) |

